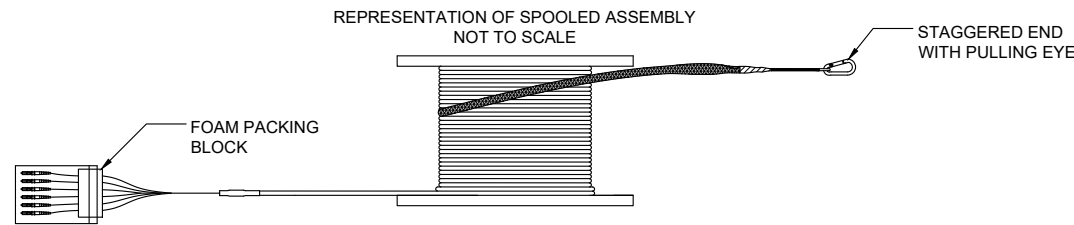
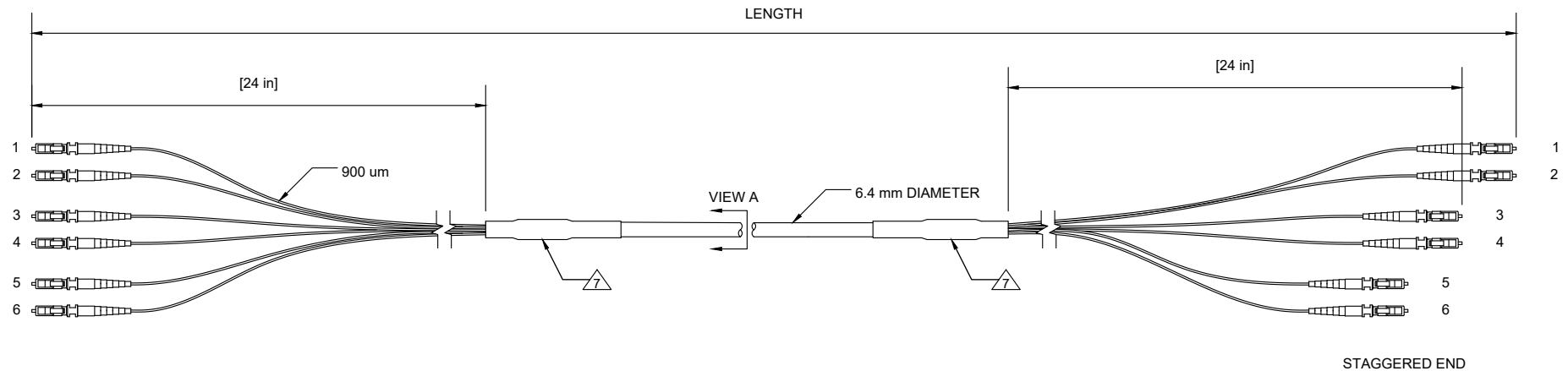


NOTES: UNLESS OTHERWISE SPECIFIED

1. MATERIALS AND COMPONENTS ARE RoHS/REACH COMPLIANT.
2. CONNECTORS MEET THE REQUIREMENTS OF ANSI/TIA 568-C.3
3. 100% TESTED FOR OPTICAL PERFORMANCE, END FACE CRITERIA AND CLEANLINES.
4. CABLE ASSEMBLIES ARE MANUFACTURED TO C ENTERPRISES STANDARDS.
5. STANDARDS AND SPECIFICATIONS AVAILABLE UPON REQUEST.
6. STAGGERED END WITH PULLING EYE
 - 6.1. CONNECTOR PAIRS STAGGERED BY 1 INCH INCREMENTS.
 - 6.2. PAIRS STAGGER ALTERNATE BY INCREASING AND DECREASING FROM DEFINED BREAKOUT LENGTH.
 - 6.3. PAIRS 1-2 LONGEST: 25". PAIRS 5-6 SHORTEST: 23".

REV	ECR	DESCRIPTION	BY	DATE	CHECKED
A	-	INITIAL RELEASE	K.T.	05/04/2016	A.J.

 HEAT SHRINK FOR STRAIN RELIEF



FIBERS AND CONNECTORS SECURED IN A FOAM BLOCK AND BAGGED.

BILL OF MATERIALS		
NUMBER	AMOUNT	PRODUCT
5	1	MUTIMODE TEST REPORT
4	1	PULLING EYE: 6 FIBERS
3	AR	MULTIMODE 50 um OM3 IN / OUT OFNP CABLE; BLACK
2	12	LC PERFORMA CONNECTOR BOOT; BLACK
1	12	LC PC POLISH PERFORMA CONNECTOR UNCLIPPED; BEIGE

TEST LIMITS AT 1300 nm			
MAX. I.L.	TYP. I.L.	MIN. R.L.	TYP. R.L.
<=0.75dB	0.20dB	N/A	N/A

DRAWN BY:	K. THOMAS	05/03/2016
APVD BY:	A. JENSEN	05/04/2016



C ENTERPRISES
2445 CADES WAY
VISTA CA 92081
760-599-5111

DIMENSIONS: METRIC [IMPERIAL]
PROPRIETARY AND CONFIDENTIAL
THIS DOCUMENT CONTAINS PROPRIETARY INFORMATION OF C ENTERPRISES. NOT TO BE USED, COPIED, OR DISCLOSED WITHOUT WRITTEN PERMISSION. ALL RIGHTS RESERVED.

TITLE: JPP006LBLB9RPPX		REV
SIZE	DWG. NO.	A
A	JPP006LBLB9RPPX	A
SCALE: NOT TO SCALE		SHEET 1 OF 1