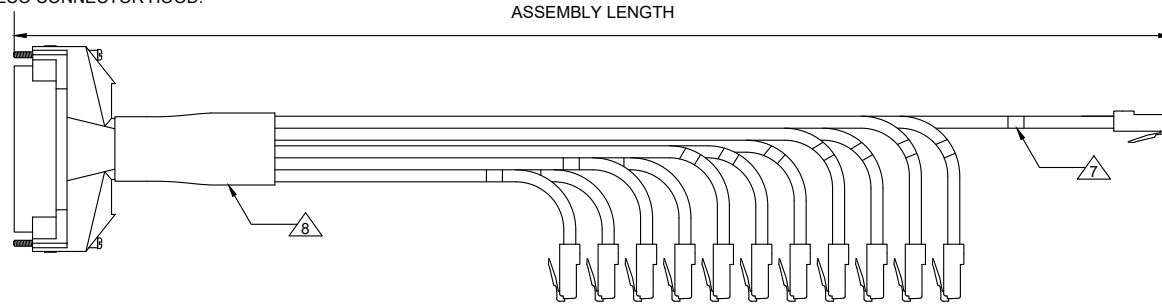


NOTES: UNLESS OTHERWISE SPECIFIED

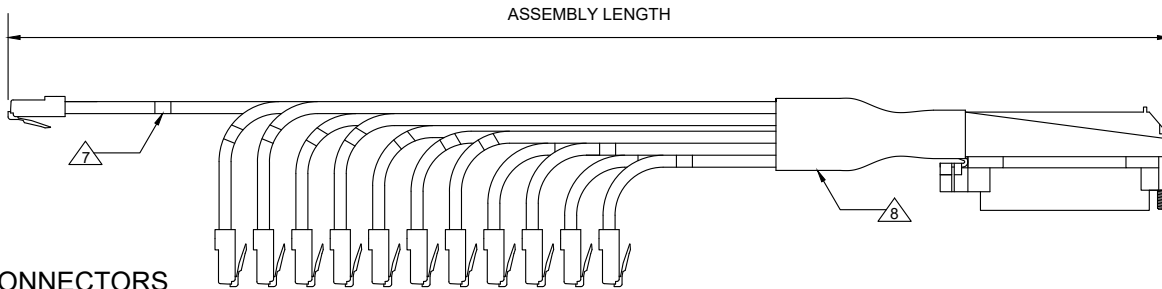
1. MATERIALS AND COMPONENTS ARE RoHS/REACH COMPLIANT.
2. CABLE ASSEMBLIES ARE MANUFACTURED TO C ENTERPRISES STANDARDS.
3. STANDARDS AND SPECIFICATIONS AVAILABLE UPON REQUEST.
4. SEE BREAKOUT SELECTION TABLE FOR CABLE AND LEG VARIATIONS.
5. WHEN SELECTED, CONNECTORS STAGGERED IN 1/2 INCH INCREMENTS BY DEFAULT.
6. REFER TO SALES FOR WIRING CONFIGURATIONS.
7. WIRE MARKER LABELS. PLACED APPROX. 6 INCHES FROM END OF CONNECTOR.
8. HEAT SHRINK SECURES CABLES TO TELCO CONNECTOR HOOD.

REV	ECR	DESCRIPTION	BY	DATE	CHECKED
A	-	INITIAL RELEASE	K.T.	06/28/2017	A.J.

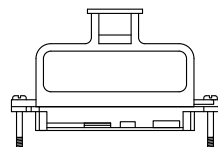
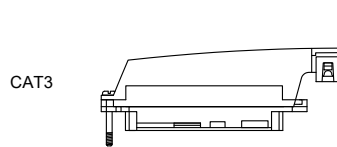
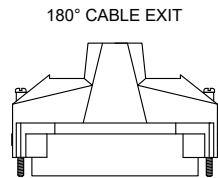
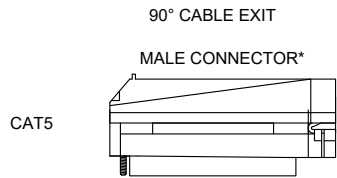
EXAMPLE ASSEMBLY 1:  
CAT5 RJ21/RJ45 ASSEMBLY  
180° CABLE EXIT  
STAGGERED LEGS



EXAMPLE ASSEMBLY 2:  
CAT5 RJ21/RJ45 ASSEMBLY  
90° CABLE EXIT  
STAGGERED LEGS



**AVAILABLE CONNECTORS**



BREAKOUT SELECTION			CABLE EXIT DIRECTION: 90° HOUSINGS			
6 LEGS	4 PAIR	CAT3/CAT5	MALE	RIGHT	STANDARD	PINS 1/26
8 LEGS	3 PAIR	CAT3/CAT5		LEFT	OPPOSITE	PINS 25/50
12 LEGS	2 PAIR	CAT3/CAT5	FEMALE	LEFT	STANDARD	PINS 25/50
24,25 LEGS	1 PAIR	CAT3		RIGHT	OPPOSITE	PINS 1/26
			*CAT5 FEMALE 90° RIGHT EXIT IS NOT AVAILABLE			

DRAWN BY:	K. THOMAS	06/28/2017	 <b>C-ENTERPRISES</b> <i>Connecting Today's Infrastructures</i>	C ENTERPRISES 2445 CADES WAY VISTA CA 92081 760-599-5111	
APVD BY:	A. JENSEN	07/28/2017			

DIMENSIONS: METRIC [IMPERIAL]		TITLE: HYDRA BUNDLE ASSEMBLIES				
PROPRIETARY AND CONFIDENTIAL	THIS DOCUMENT CONTAINS PROPRIETARY INFORMATION OF C ENTERPRISES. NOT TO BE USED, COPIED, OR DISCLOSED WITHOUT WRITTEN PERMISSION. ALL RIGHTS RESERVED.			SIZE	DWG. NO.	REV
		A		HYDRA-BUNDLE		A
SCALE: NOT TO SCALE					SHEET 1 OF 1	