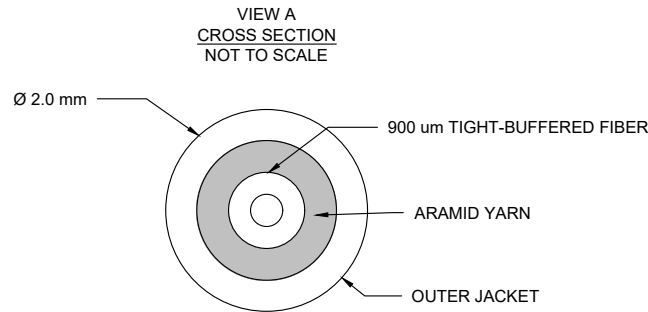
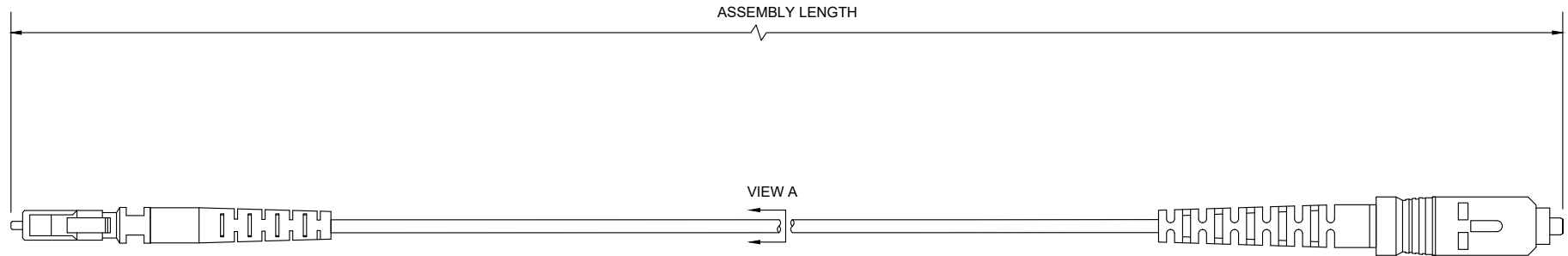


NOTES: UNLESS OTHERWISE SPECIFIED


1. MATERIALS AND COMPONENTS ARE RoHS/REACH COMPLIANT.
2. CONNECTORS MEET THE REQUIREMENTS OF ANSI/TIA 568-C.3
3. 100% TESTED FOR OPTICAL PERFORMANCE, END FACE CRITERIA AND CLEANLINESS.
4. CABLE ASSEMBLIES ARE MANUFACTURED TO C ENTERPRISES STANDARDS.
5. STANDARDS AND SPECIFICATIONS AVAILABLE UPON REQUEST.

REV	ECR	DESCRIPTION	BY	DATE	CHECKED
A	-	INITIAL RELEASE	K.T.	09/29/2017	D.B.



BILL OF MATERIALS		
ITEM	QTY	COMPONENT
3	AR	SINGLE-MODE OS2 SIMPLEX OFNR 2.0 mm CABLE, YELLOW: PERFORMA
2	1	SC-UNCLIPPED UPC POLISH CONNECTOR; BLUE HOUSING, BLUE BOOT: PERFORMA
1	1	LC-UNCLIPPED UPC POLISH CONNECTOR; BLUE HOUSING, BLUE BOOT: PERFORMA

UPC TEST LIMITS AT 1310 nm				
MAX. I.L.	TYP. I.L.	MIN. R.L.	TYP. R.L.	
≤0.50dB	0.20dB	≥50dB	60dB	

DESCRIPTION: LC-NOCLIP UPC POLISH / SC-NOCLIP OS2 2.0 mm SIMPLEX OFNR CABLE, PERFORMA				
DRAWN BY:	K. THOMAS	09/29/2017	 <b>C-ENTERPRISES</b> <i>Connecting Today's Infrastructures</i>	C ENTERPRISES 2445 CADES WAY VISTA CA 92081 760-599-5111
APVD BY:	D. BROWN	09/29/2017		
DIMENSIONS: METRIC [IMPERIAL]			TITLE: LC/SC OS2 2.0 mm SIMPLEX OFNR PATCH	
PROPRIETARY AND CONFIDENTIAL THIS DOCUMENT CONTAINS PROPRIETARY INFORMATION OF C ENTERPRISES. NOT TO BE USED, COPIED, OR DISCLOSED WITHOUT WRITTEN PERMISSION. ALL RIGHTS RESERVED.			SIZE <b>A</b>	DWG. NO. <b>SUSS01LBSBXXXPX</b>
			SCALE: NOT TO SCALE	REV <b>A</b>
			SHEET 1 OF 1	