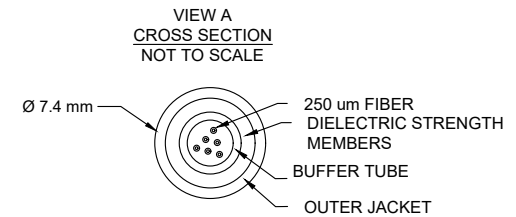
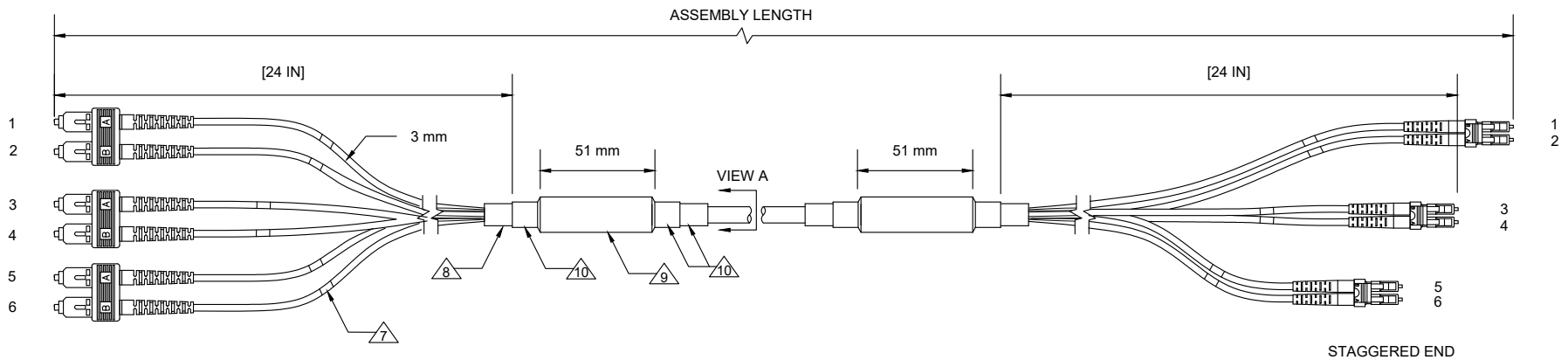


NOTES: UNLESS OTHERWISE SPECIFIED

1. MATERIALS AND COMPONENTS ARE RoHS/REACH COMPLIANT.
2. CONNECTORS MEET THE REQUIREMENTS OF ANSI/TIA 568-C.3
3. 100% TESTED FOR OPTICAL PERFORMANCE, END FACE CRITERIA AND CLEANLINESS.
4. CABLE ASSEMBLIES ARE MANUFACTURED TO C ENTERPRISES STANDARDS.
5. STANDARDS AND SPECIFICATIONS AVAILABLE UPON REQUEST.
6. STAGGERED END WITH PULLING EYE
 - 6.1. CONNECTORS STAGGERED IN PAIRS BY 1 INCH INCREMENTS.
 - 6.2. PAIRS STAGGER ALTERNATE BY INCREASING AND DECREASING FROM DEFINED BREAKOUT LENGTH.
 - 6.3. PAIRS 1-2 LONGEST: 25 INCHES. PAIRS 5-6 SHORTEST: 23 INCHES.

- 7 FIBER LEG LABEL. PLACED APPROX. 6 INCHES FROM CONNECTOR TIP. 12 PLACES.
- 8 HEAT SHRINK FOR STRAIN RELIEF. 2 PLACES.
- 9 C-BREAK. OVERALL DIAMETER: 14 mm . 2 PLACES.
- 10 HEAT SHRINK. 6 PLACES.

REV	ECR	DESCRIPTION	BY	DATE	CHECKED
A	-	INITIAL RELEASE	M.K.	01/02/2018	A. J



EXAMPLE OF PULLING EYE



BILL OF MATERIALS

ITEM	QTY	COMPONENT
5	1	PULLING EYE: 6 FIBERS
4	2	C BREAK 2: SINGLE LEG BREAKOUT, 3 mm FURCATION; YELLOW
3	AR	SINGLEMODE OS2 6 FIBER OFNR INDOOR/OUTDOOR CABLE; BLACK: CORNING
2	6	SC-CLIP UPC POLISH ; BLUE HOUSING, BLUE BOOT: PERFORMA
1	6	LC-CLIP UPC POLISH ; BLUE HOUSING, BLUE BOOT: PERFORMA

UPC TEST LIMITS AT 1310 nm

MAX. I.L.	TYP. I.L.	MIN. R.L.	TYP. R.L.
≤0.50dB	0.20dB	≥50dB	60dB

DESCRIPTION: LC -CLIP UPC / SC-CLIP UPC, x 6-FIBER OS2 SINGLE-MODE OFNR IN/OUT CABLE, SINGLE LEG BREAKOUT 3 mm, PULLING EYE W/ STAGGERED END.

DRAWN BY:	M. KHANFIR	01/02/2018
APVD BY:	A. JENSEN	01/02/2018



C ENTERPRISES
2445 CADES WAY
VISTA CA 92081
760-599-5111

DIMENSIONS: METRIC [IMPERIAL]

PROPRIETARY AND CONFIDENTIAL
THIS DOCUMENT CONTAINS PROPRIETARY INFORMATION OF C ENTERPRISES. NOT TO BE USED, COPIED, OR DISCLOSED WITHOUT WRITTEN PERMISSION. ALL RIGHTS RESERVED.

TITLE: LC / SC OS2 OFNR IN/OUT CABLE

SIZE	DWG. NO.	REV
A	SURO06LCSCSEXPXS	A

SCALE: NOT TO SCALE

SHEET 1 OF 1