

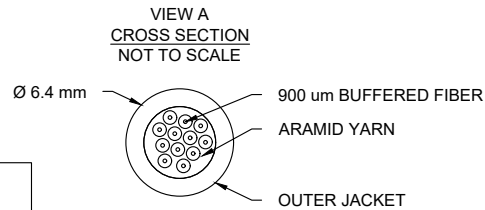
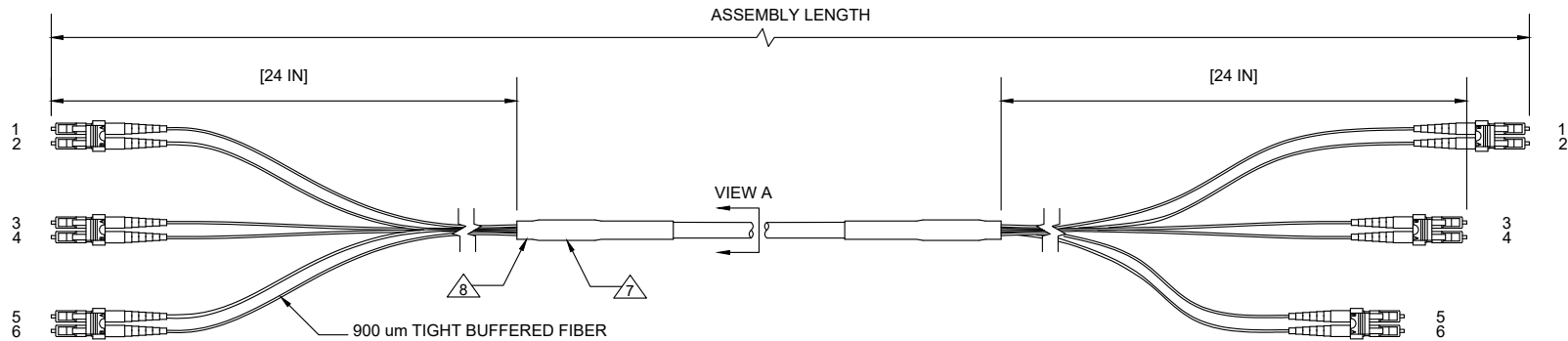
NOTES: UNLESS OTHERWISE SPECIFIED

1. MATERIALS AND COMPONENTS ARE RoHS/REACH COMPLIANT.
2. CONNECTORS MEET THE REQUIREMENTS OF ANSI/TIA 568-C.3
3. 100% TESTED FOR OPTICAL PERFORMANCE, END FACE CRITERIA AND CLEANLINESS.
4. CABLE ASSEMBLIES ARE MANUFACTURED TO C ENTERPRISES STANDARDS.
5. STANDARDS AND SPECIFICATIONS AVAILABLE UPON REQUEST.
6. STAGGERED END WITH PULLING EYE
 - 6.1. CONNECTORS STAGGERED BY 1 INCH INCREMENTS.
 - 6.2. PAIRS STAGGER ALTERNATES BY INCREASING AND DECREASING FROM DEFINED BREAKOUT LENGTH.
 - 6.3. PAIR 1-2 LONGEST: 25 INCHES. PAIR 5-6 SHORTEST: 23 INCHES.

7. HEAT SHRINK -ADHESIVE, SECURED ARAMID YARN AND JACKET: 2 PLACES.

8. HEAT SHRINK FOR STRAIN RELIEF: 2 PLACES.

REV	ECR	DESCRIPTION	BY	DATE	CHECKED
A	-	INITIAL RELEASE	M.K.	02/07/2018	A.J.



EXAMPLE OF PULLING EYE




BILL OF MATERIALS

ITEM	QTY	COMPONENT
4	1	MULTIMODE PC TEST REPORT
3	1	PULLING EYE: 6 FIBERS.
2	AR	MULTIMODE OM3 6 FIBERS OFNP IN/OUT CABLE; BLACK: PERFORMA
1	12	LC-CLIPPED PC POLISH CONNECTOR; BEIGE HOUSING, BLACK BOOT: PERFORMA

PC MULTIMODE TEST LIMITS
AT 1300 nm

MAX. I.L.	TYP. I.L.	MIN. R.L.	TYP. R.L.
≤0.75dB	0.20dB	N/A	N/A

DESCRIPTION: LC-CLIPPED PC / LC-CLIPPED PC, x 6-FIBER 50 um OM3 OFNP IN/OUT CABLE, 900 um BREAKOUTS, TEST REPORT, PULLING EYE W/ STAGGERED CONNECTORS, PERFORMA.			
DRAWN BY:	M. KHANFIR	02/07/2018	 <p>C ENTERPRISES 2445 CADES WAY VISTA CA 92081 760-599-5111</p>
APVD BY:	A. JENSEN	02/08/2018	
DIMENSIONS: METRIC [IMPERIAL]		TITLE: LC/LC OM3 IN/OUT 6 FIBER ASM	
PROPRIETARY AND CONFIDENTIAL THIS DOCUMENT CONTAINS PROPRIETARY INFORMATION OF C ENTERPRISES. NOT TO BE USED, COPIED, OR DISCLOSED WITHOUT WRITTEN PERMISSION. ALL RIGHTS RESERVED.		SIZE A	DWG. NO. JPP006LCLC9RPPX
		SCALE: NOT TO SCALE	REV A
		SHEET 1 OF 1	