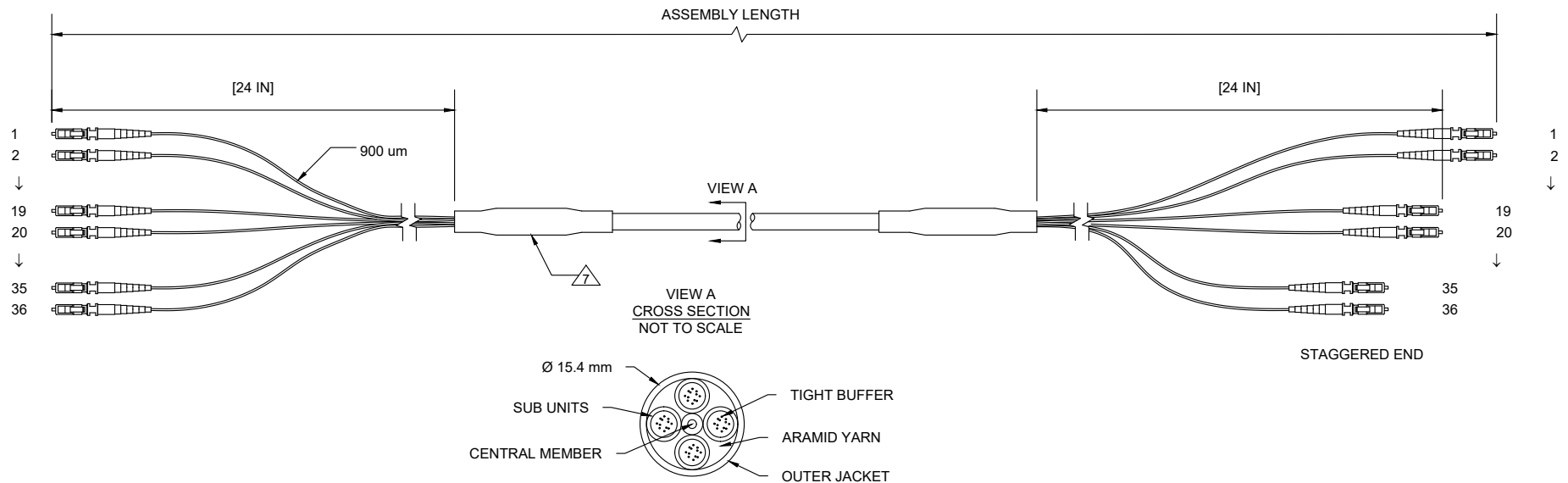


NOTES: UNLESS OTHERWISE SPECIFIED

1. MATERIALS AND COMPONENTS ARE RoHS/REACH COMPLIANT.
2. CONNECTORS MEET THE REQUIREMENTS OF ANSI/TIA 568-C.3
3. 100% TESTED FOR OPTICAL PERFORMANCE, END FACE CRITERIA AND CLEANLINESS.
4. CABLE ASSEMBLIES ARE MANUFACTURED TO C ENTERPRISES STANDARDS.
5. STANDARDS AND SPECIFICATIONS AVAILABLE UPON REQUEST.
6. STAGGERED END WITH PULLING EYE
 - 6.1. CONNECTORS STAGGERED IN PAIRS BY 1 INCH INCREMENTS.
 - 6.2. PAIRS STAGGER ALTERNATE BY INCREASING AND DECREASING FROM DEFINED BREAKOUT LENGTH.
 - 6.3. PAIR 1-2 LONGEST: 35 INCHES. PAIR 35-36 SHORTEST: 18 INCHES.

 HEAT SHRINK FOR CABLE PROTECTION: 2 PLACES.

REV	ECR	DESCRIPTION	BY	DATE	CHECKED
A	-	INITIAL RELEASE	M. K	04/26/2019	A.J.



EXAMPLE OF PULLING EYE



BILL OF MATERIALS

ITEM	QTY	COMPONENT
3	1	PULLING EYE: 36 FIBERS.
2	AR	SINGLE-MODE OS2 48 FIBER OFNP DIST CABLE; YELLOW: PERFORMA.
1	72	LC-UNCLIPPED UPC POLISH; BLUE HOUSING, BLUE BOOT: PERFORMA.

UPC TEST LIMITS AT 1310 nm

MAX. I.L.	TYP. I.L.	MIN. R.L.	TYP. R.L.
≤0.50dB	0.20dB	≥50dB	60dB

DESCRIPTION: LC-UNCLIPPED UPC / LC-UNCLIPPED UPC x 36-FIBER SINGLE-MODE OFNP INDOOR CABLE, 900 um BREAKOUTS, PULLING EYE W/ STAGGERED END, PERFORMA.

DRAWN BY:	M. KHANFIR	04/26/2019
APVD BY:	A. JENSEN	04/26/2019



C ENTERPRISES
2445 CADES WAY
VISTA CA 92081
760-599-5111

DIMENSIONS: METRIC [IMPERIAL]

PROPRIETARY AND CONFIDENTIAL
THIS DOCUMENT CONTAINS PROPRIETARY INFORMATION OF C ENTERPRISES. NOT TO BE USED, COPIED, OR DISCLOSED WITHOUT WRITTEN PERMISSION. ALL RIGHTS RESERVED.

TITLE: LC/LC INDOOR 36 FIBER ASM		REV
SIZE	DWG. NO.	A
A	SUPI36LBLB9XPPX	A
SCALE: NOT TO SCALE		SHEET 1 OF 1